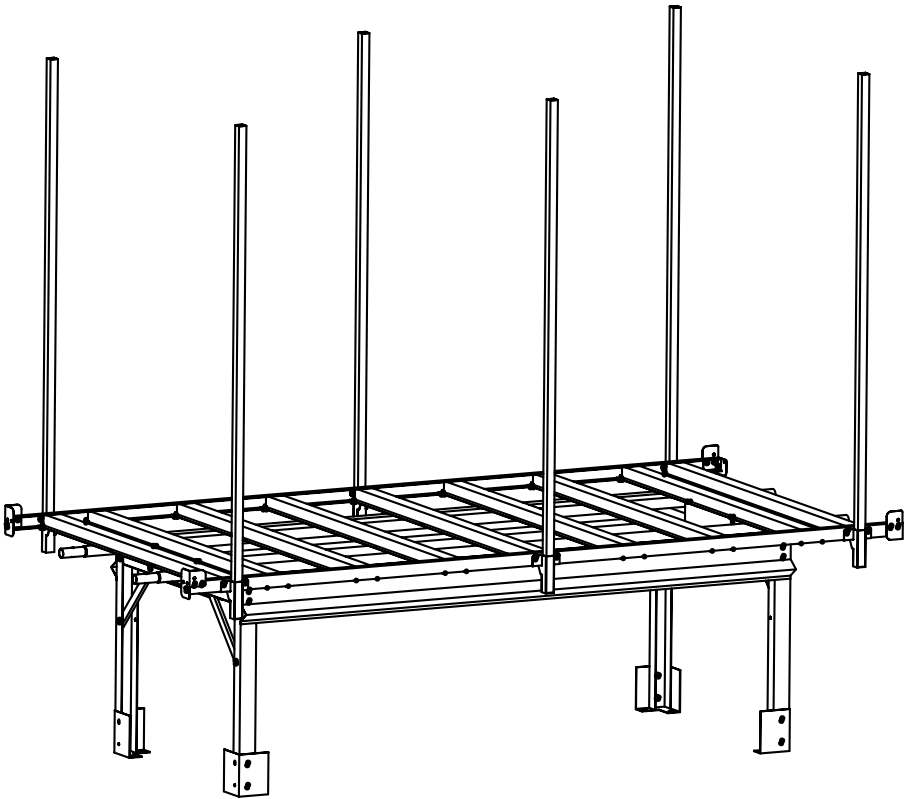


USER MANUAL



Active aqua


ROLLING BENCH TRELLIS SUPPORT KIT



AARBTS1
(ROLLING BENCH SOLD SEPARATELY)

PART LIST

Part Qty Description

1 x 12 Nut 

2 x 12 Bolt 

Part Qty Description

14 x 6 Support Bracket 

15 x 6 Trellis Poles 

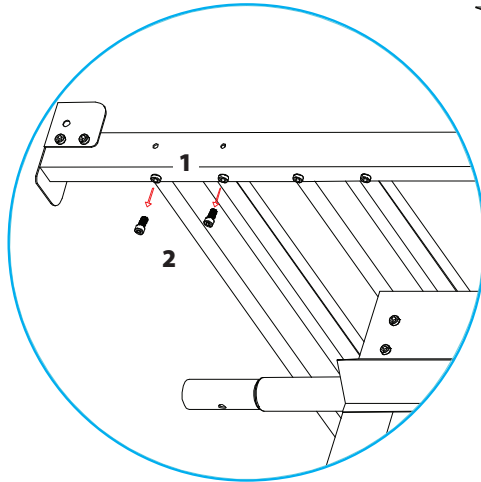
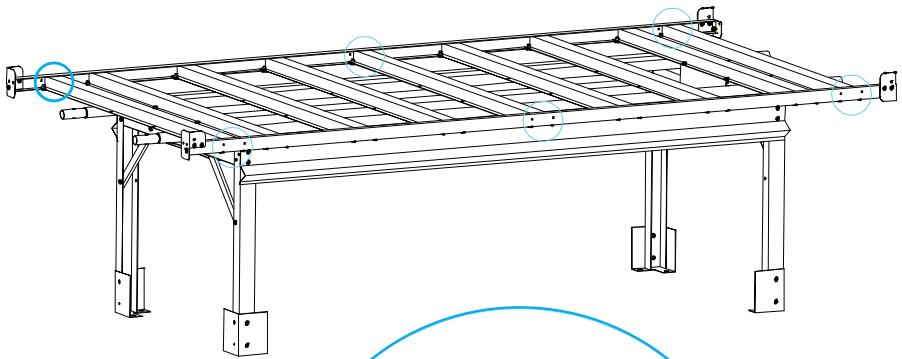
Also includes assembly tools: Hex wrench (x1) and open-ended wrench (x1)



ASSEMBLY

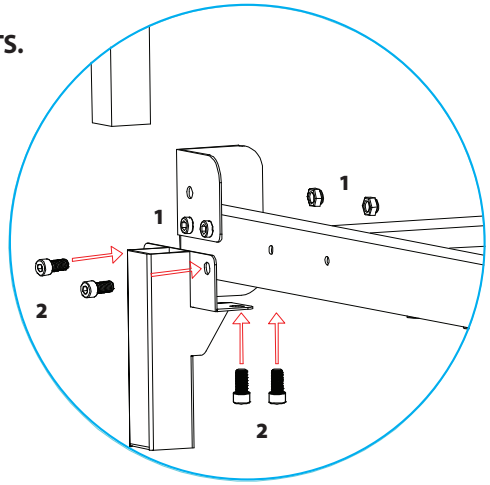
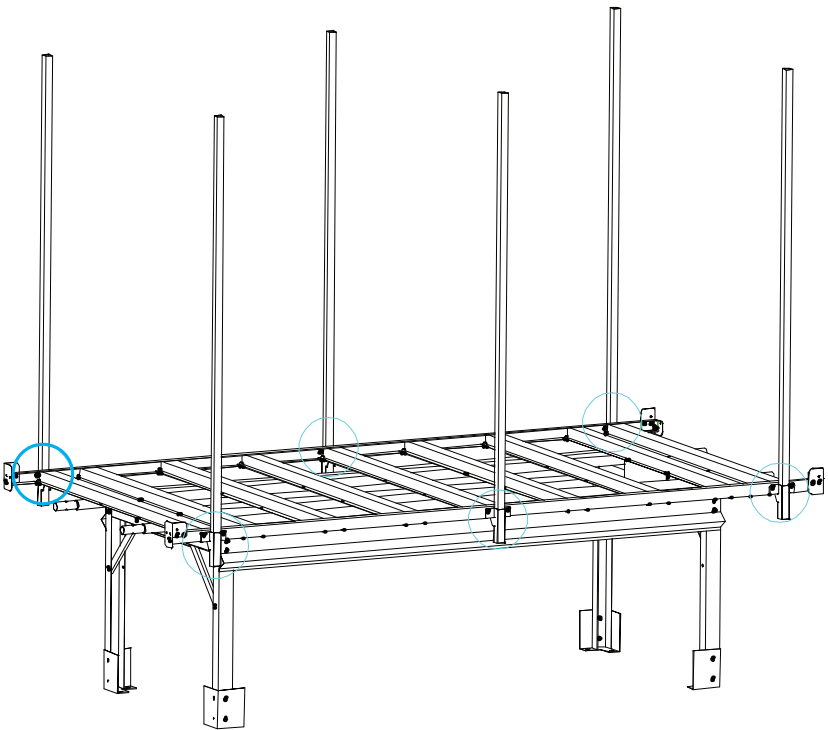
STEP 1: PLACE SUPPORT BRACKETS.

Remove the existing nuts (**1**) and bolts (**2**) from the support bars circled in blue below. Next, place the support bracket into position as shown in Step 2.



STEP 2: ATTACH SUPPORT BRACKETS.

Reattach the nuts (1) and bolts (2) you removed in Step 1, and add two more on the side of the table to secure the brackets as shown.

**STEP 3: INSERT TRELLIS POLES INTO SUPPORT BRACKETS.**



Active aqua

Thank you for choosing Active Aqua by Hydrofarm. For further information about Active Aqua products, videos, and technical information, please visit [Hydrofarm.com](https://www.hydrofarm.com)



Get Connected with the Hydrofarm Community:



Like us on Facebook, follow us on Twitter, and check out [Hydrofarmtv](https://www.hydrofarm.com) on YouTube and Instagram!